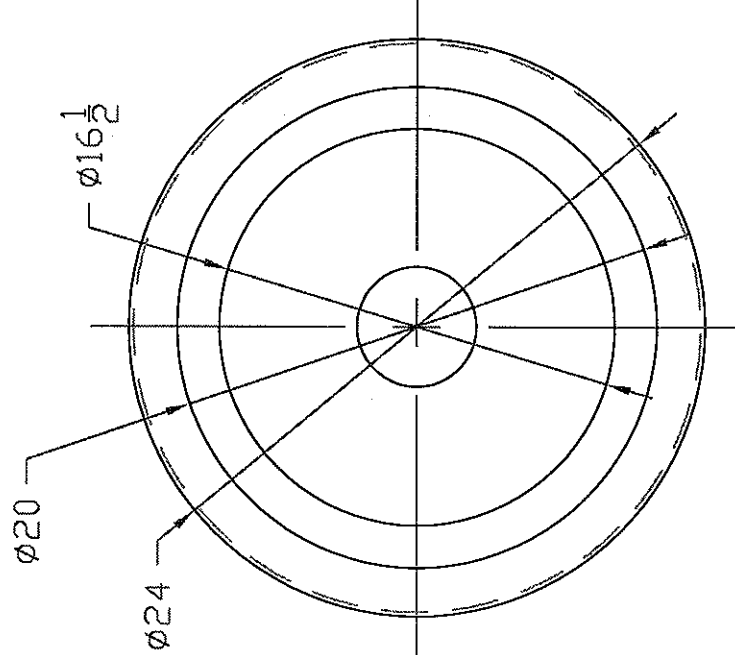
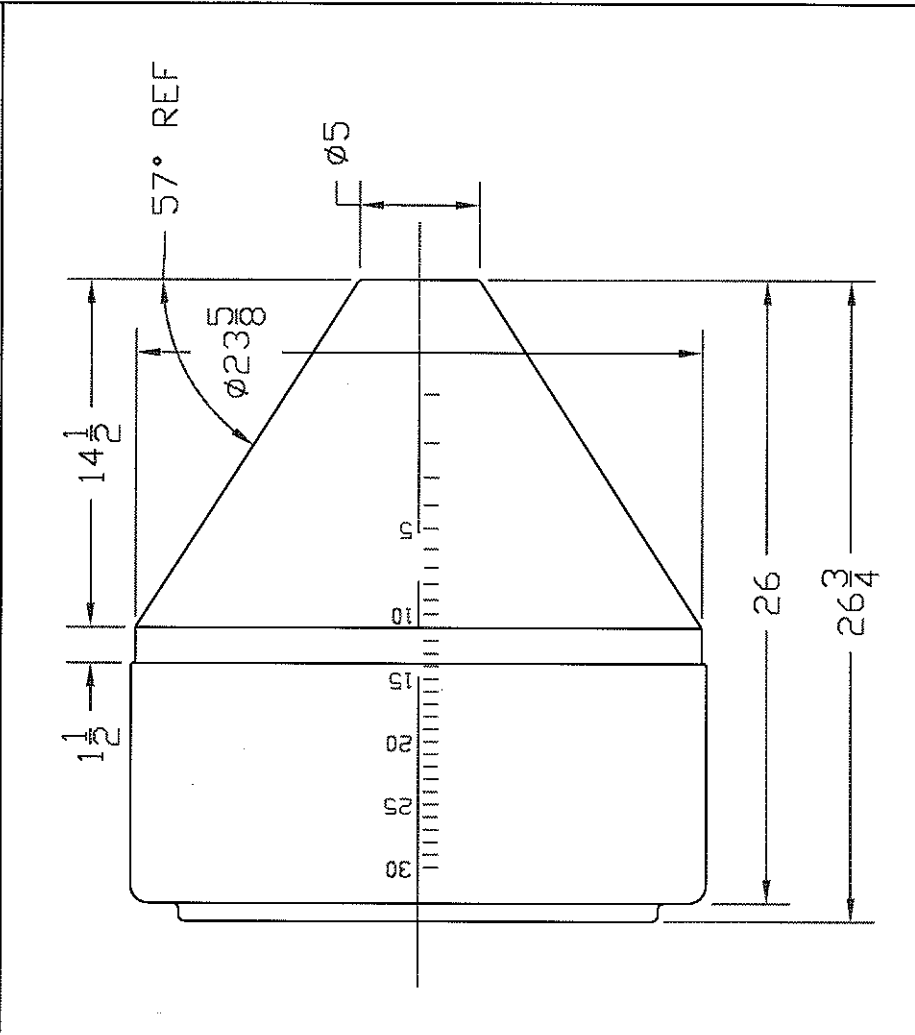


| REVISIONS | | | | |
|-----------|-----|-------------|------|----------|
| ZONE | REV | DESCRIPTION | DATE | APPROVED |
| | | | | |
| | | | | |



| | | | |
|--------------------|---------|--------------------|----------|
| | | ST. BONIFACIUS, MN | |
| 30 GALLON INDUCTOR | | TANK x 24 DIA | |
| JTP | 02APR04 | SIZE A | FSCM NO. |
| SCALE 1/8 | | DWG NO. | REV |
| SHEET | | SHEET | |